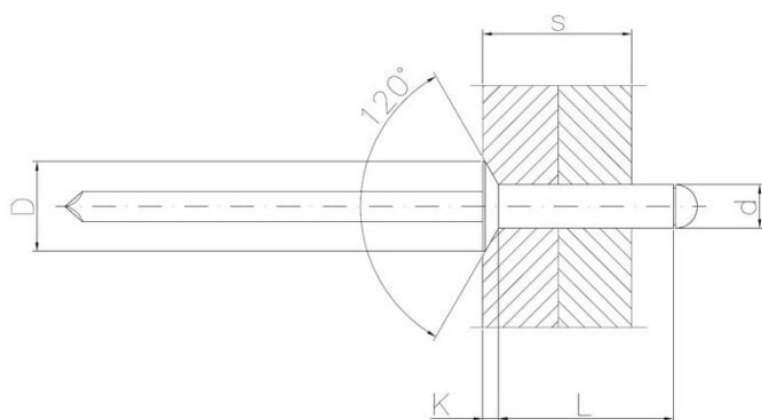


Normy:

ISO 15978



Wymiary

Material index	d - Średnica [mm]	L - Długość [mm]	D [mm]	s [mm]	k [mm]
2405032100AST	3.2	10	6.0	5.5-7.0	0.9
2405030100AST	3.0	10	6.0	5.5-7.0	0.9
2405040100AST	4.0	10	7.5	5.0-6.5	1.0
2405030120AST	3.0	12	6.0	7.0-9.0	0.9
2405032120AST	3.2	12	6.0	7.0-9.0	0.9
2405040120AST	4.0	12	7.5	6.5-8.5	1.0
2405048120AST	4.8	12	9.0	6.0-8.0	1.2
2405040140AST	4.0	14	7.5	8.5-10.5	1.0
2405048160AST	4.8	16	9.0	10.0-12.0	1.2
2405050160AST	5.0	16	9.0	10.0-11.5	1.2
2405040160AST	4.0	16	7.5	10.5-12.5	1.0
2405050180AST	5.0	18	9.0	12.0-14.0	1.2
2405048180AST	4.8	18	9.0	12.0-14.0	1.2
2405050200AST	5.0	20	9.0	14.0-16.0	1.2
2405048210AST	4.8	21	9.0	14.0-17.0	1.2
2405050250AST	5.0	25	9.0	16.0-21.0	1.2

Material index	d - Średnica [mm]	L - Długość [mm]	D [mm]	s [mm]	k [mm]
2405032060AST	3.2	6	6.0	1.5-3.5	0.9
2405040080AST	4.0	8	7.5	3.0-5.0	1.0