



**INSTITUTO DE CIENCIAS
DE LA CONSTRUCCIÓN
EDUARDO TORROJA**

C/ Serrano Galvache n. 4 28033 Madrid (Spain)
Tel.: (34) 91 302 04 40
direccion.ietcc@csic.es <https://dit.ietcc.csic.es>

European Technical Assessment

ETA 19/0284 of 21/03/2022

English translation prepared by IETcc. Original version in Spanish language

General Part

Technical Assessment Body issuing the ETA designated according to Art. 29 of Regulation (EU) 305/2011:

Instituto de Ciencias de la Construcción Eduardo Torroja (IETcc)

Trade name of the construction product:

**Anchor CA-Z/X
Anchor CA-H/X
Anchor CA-Z/H
Anchor CA-X/X**

Product family to which the construction product belongs:

Torque controlled expansion anchor made of galvanized steel, sherardized steel or stainless steel of sizes M8, M10, M12, M16, M20 and M24 for use in cracked or uncracked concrete.

Manufacturer:

Marcopol Sp. z o.o. Producent Śrub
ul. Oliwska 100
80-209 Chwaszczyno, Poland
Website www.marcopol.pl

Manufacturing plants:

Marcopol plant 3

This European Technical Assessment contains:

17 pages including 3 annexes which form an integral part of this assessment.

This European Technical Assessment is issued in accordance with regulation (EU) No 305/2011, on the basis of:

European Technical Assessment EAD 330232-00-0601 "Mechanical Fasteners for use in concrete", ed. October 2016

This version replaces

ETA 19/0284 issued on 07/05/2019

English translation prepared by IETcc

This European Technical Assessment is issued by the Technical Assessment Body in its official language. Translations of this European Technical Assessment in other languages shall fully correspond to the original issued document and should be identified as such.

This European Technical Assessment may be withdrawn by the issuing Technical Assessment Body, in particular pursuant to information by the Commission according to article 25 (3) of Regulation (EU) No 305/2011.

English translation prepared by IETcc

SPECIFIC PART

1. Technical description of the product

The Marcopol CA-Z/X wedge anchor in the range of M8, M10, M12, M16, M20 and M24 is an anchor made of galvanised steel. The Marcopol CA-H/X wedge anchor in the range of M8, M10, M12, M16 and M20 is an anchor made of sherardized steel. The Marcopol CA-Z/H wedge anchor in the range of M8, M10, M12, M16 and M20 is an anchor made of galvanized steel. The Marcopol CA-X/X wedge anchor in the range of M8, M10, M12, M16 and M20 is an anchor made of stainless steel. The anchor is installed into a predrilled cylindrical hole and anchored by torque-controlled expansion. The anchorage is characterized by friction between expansion clip and concrete.

Product and installation descriptions are given in annexes A1 and A2.

2. Specification of the intended use in accordance with the applicable European Assessment Document.

The performances given in section 3 are only valid if the anchor is used in compliance with the specifications and conditions given in annex B.

The verifications and assessment methods on which this European Technical Assessment is based lead to the assumption of a working life of the anchor of at least 50 years. The indications given on the working life cannot be interpreted as a guarantee given by the producer, but are to be regarded only as a mean to choosing the right products in relation to the expected economically reasonable working life of the works.

3. Performance of the product and references to the methods used for its assessment

3.1 Mechanical resistance and stability (BWR 1)

Essential characteristic	Performance
Essential characteristics under static or quasi static loading	See annexes C1 to C5
Displacements under tension and shear loads	See annex C6
Essential characteristics under seismic loading categories C1 and C2	See annex C7 and C8

3.2 Safety in case of fire (BWR 2)

Essential characteristic	Performance
Reaction to fire	Anchorage satisfy requirements for class A1
Resistance to fire	See annexes C9 and C10

English translation prepared by IETcc

4. Assessment and Verification of Constancy of Performances (hereinafter AVCP) system applied, with reference to its legal base

The applicable European legal act for the system of Assessment and Verification of Constancy of Performances (see annex V to Regulation (EU) No 305/2011) is 96/582/EC.

The system to be applied is 1.

5. Technical details necessary for the implementation of the AVCP system, as provided for in the applicable European Assessment Document.

The technical details necessary for the implementation of the AVCP system are laid down in the quality plan deposited at Instituto de Ciencias de la Construcción Eduardo Torroja.



Instituto de Ciencias de la Construcción Eduardo Torroja
CONSEJO SUPERIOR DE INVESTIGACIONES CIENTÍFICAS

C/ Serrano Galvache n.º 4. 28033 Madrid.
Tel: (+34) 91 302 04 40
<https://dit.ietcc.csic.es>



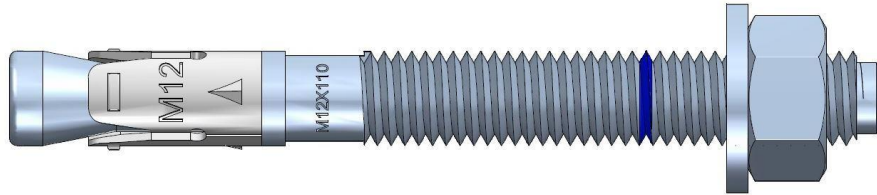
On behalf of the Instituto de Ciencias de la Construcción Eduardo Torroja
Madrid, 21st of March 2022

Director IETcc - CSIC



Product and installed condition

CA-Z/X, CA-H/X, CA-Z/H. CA-X/X anchor



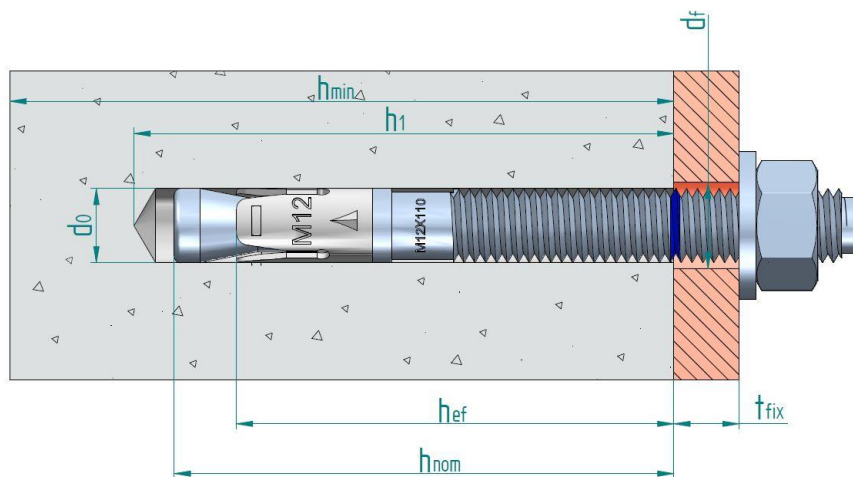
Identification on anchor:

- Expansion clip:
 - Anchor CA-Z/X: “MRP” + “CA-Z/X” + Metric.
 - Anchor CA-H/X: “MRP” + “CA-H/X” + Metric.
 - Anchor CA-Z/H: “MRP” + “CA-Z/H” + Metric
 - Anchor CA-X/X: “MRP” + “CA-X/X” + Metric
- Anchor body: Metric x Length
- Blue ring mark to show embedment depth
- Length letter code on head:

Letter on head	Length [mm]
C	68 ÷ 75
D	76 ÷ 88
E	89 ÷ 101
F	102 ÷ 113
G	114 ÷ 126
H	127 ÷ 139

Letter on head	Length [mm]
I	140 ÷ 151
J	152 ÷ 164
K	165 ÷ 177
L	178 ÷ 190
M	191 ÷ 202
N	203 ÷ 215

Letter on head	Length [mm]
O	216 ÷ 228
P	229 ÷ 240
Q	241 ÷ 253
R	254 ÷ 266
S	267 ÷ 300



- d₀: Nominal diameter of drill bit
- d_r: Fixture clearance hole diameter
- h_{ef}: Effective anchorage depth
- h₁: Depth of drilled hole
- h_{nom}: Overall anchor embedment depth in the concrete
- h_{min}: Minimum thickness of concrete member
- t_{fix}: Fixture thickness

CA-Z/X, CA-H/X, CA-Z/H, CA-X/X anchors

Product description

Installed condition

Annex A1

English translation prepared by IETcc

Table A1: materials

Item	Designation	Material for CA-Z/X	Material for CA-H/X
1	Anchor body	M8 to M20: carbon steel wire rod, galvanized $\geq 5 \mu\text{m}$ ISO 4042 Zn5/An/T0 with antifriction coating M24: machine carbon steel, galvanized $\geq 5 \mu\text{m}$ ISO 4042 Zn5/An/T0 with antifriction coating	Carbon steel wire rod, sherardized $\geq 40 \mu\text{m}$ EN 13811
2	Washer	DIN 125, DIN 9021, DIN 440 galvanized $\geq 5 \mu\text{m}$ ISO 4042 Zn5/An/T0	DIN 125, DIN 9021, DIN 440 sherardized $\geq 40 \mu\text{m}$ EN 13811
3	Nut	DIN 934 class 6, galvanized $\geq 5 \mu\text{m}$ ISO 4042 Zn5/An/T0	DIN 934 class 6, sherardized $\geq 40 \mu\text{m}$ EN 13811
4	Expansion clip	Stainless steel, grade A4	Stainless steel, grade A4

Item	Designation	Material for CA-Z/H	Material for CA-X/X
1	Anchor body	Carbon steel wire rod, galvanized $\geq 5 \mu\text{m}$ ISO 4042 Zn5/An/T0 with antifriction coating	Stainless steel, grade A4
2	Washer	DIN 125, DIN 9021, DIN 440 galvanized $\geq 5 \mu\text{m}$ ISO 4042 Zn5/An/T0	DIN 125, DIN 9021, DIN 440 stainless steel, grade A4
3	Nut	DIN 934 class 6 galvanized $\geq 5 \mu\text{m}$ ISO 4042 Zn5/An/T0	Stainless steel, grade A4 with antifriction coating
4	Expansion clip	Carbon steel strip, sherardized $\geq 15 \mu\text{m}$ EN 13811	Stainless steel, grade A4, galvanized $\geq 5 \mu\text{m}$ ISO 4042 Zn5/An/T0

CA-Z/X, CA-H/X, CA-Z/H, CA-X/X anchor

Product description

Materials

Annex A2

Specifications of intended use

Anchorage subjected to:

- Static or quasi static loads
- Seismic actions:

Version	Category	M6	M8	M10	M12	M16	M20	M24
CA-Z/X	C1			✓	✓	✓		
	C2				✓	✓		
CA-Z/H	C1		✓	✓	✓	✓	✓	
	C2			✓	✓		✓	

- Resistance to fire exposure up to 120 minutes: all versions and sizes

Base materials:

- Reinforced or unreinforced normal weight concrete without fibres according to EN 206:2013+A1:2016
- Strength classes C20/25 to C50/60 according to EN 206:2013+A1:2016
- Cracked or uncracked concrete

Use conditions (environmental conditions):

- Anchorages subjected to dry internal conditions: all anchors
- CA-X/X: anchorages subjected to dry internal conditions, to external atmospheric exposure (including industrial and marine environment) or to permanent internal damp conditions if no particular aggressive conditions exist. Such particular aggressive conditions are e.g. permanent, alternating immersion in seawater or the splash zone of seawater, chloride atmosphere of indoor swimming pools or atmosphere with extreme chemical pollution (e.g. in desulphurization plants or road tunnels where de-icing materials are used). Atmospheres under Corrosion Resistance Class CRC III according to EN 1993-1-4:2006+A1:2015 annex A.

Design:

- Anchorages are designed under the responsibility of an engineer experienced in anchorages and concrete.
- Verifiable calculation rules and drawings are prepared taking into account of the loads to be anchored. The position of the anchor is indicated on the design drawings (e.g. position of the anchor relative to reinforcement or to supports, etc.).
- Anchorages under static or quasi-static actions are designed for design method A in accordance with EN 1994-4:2018
- Anchorages under seismic actions are designed in accordance with EN 1992-4:2018. Anchorages shall be positioned outside of critical regions (e.g. plastic hinges) of the concrete structure. Fastening in stand-off installation or with grout layer are not allowed.
- Anchorages under fire exposure are designed in accordance with EN 1992-4:2018. It must be ensured that local spalling of the concrete cover does not occur.

Installation:

- Hole drilling by rotary plus hammer mode.
- Anchor installation carried out by appropriately qualified personal and under the supervision of the person responsible for technical matters of the site.
- In case of aborted hole: new drilling at a minimum distance away of twice the depth of aborted hole or smaller distance if the aborted hole is filled with high strength mortar and if under shear or oblique tension load it is not the direction of the load application.

CA-Z/X, CA-H/X, CA-Z/H, CA-X/X anchor

Intended use

Specifications

Annex B1

English translation prepared by IETcc

Table C1: Installation parameters for CA-Z/X, CA-H/X, CA-Z/H anchors

Installation parameters			Performances					
			M8	M10	M12	M16	M20	M24
d ₀	Nominal diameter of drill bit:	[mm]	8	10	12	16	20	24
d _f	Fixture clearance hole diameter:	[mm]	9	12	14	18	22	26
T _{inst}	Nominal installation torque:	[Nm]	20/15 ¹⁾	40	60	100	200	250
L _{min}	Minimum total length of the bolt:	[mm]	68	82	98	119	140	175
h _{min}	Minimum thickness of concrete member:	[mm]	100	120	140	170	200	250
h ₁	Depth of drilled hole:	[mm]	60	75	85	105	125	155
h _{nom}	Overall anchor embedment depth in the concrete:	[mm]	55	68	80	97	114	143
h _{ef}	Effective anchorage depth:	[mm]	48	60	70	85	100	125
t _{fix}	Thickness of fixture for washer DIN 125 ≤ ²⁾	[mm]	L - 66	L - 80	L - 96	L - 117	L - 138	L - 170
t _{fix}	Thickness of fixture for washers DIN 9021, DIN 440 ≤ ²⁾	[mm]	L - 67	L - 81	L - 97	L - 118	L - 139	L - 171
s _{min}	Minimum allowable spacing:	[mm]	50	60	70	85/128 ¹⁾	100/150 ¹⁾	125
c _{min}	Minimum allowable distance:	[mm]	50	60	70	85/128 ¹⁾	100/150 ¹⁾	125

¹⁾ Respective values for anchors CA-Z/X / CA-H/X, CA-Z/H

²⁾ L = total anchor length

Table C2: Installation parameters for CA-X/X anchor

Installation parameters			Performances				
			M8	M10	M12	M16	M20
d ₀	Nominal diameter of drill bit:	[mm]	8	10	12	16	20
d _f	Fixture clearance hole diameter:	[mm]	9	12	14	18	22
T _{inst}	Nominal installation torque:	[Nm]	15	30	60	100	200
L _{min}	Minimum total length of the bolt:	[mm]	68	82	98	119	140
h _{min}	Minimum thickness of concrete member:	[mm]	100	120	140	170	200
h ₁	Depth of drilled hole:	[mm]	60	75	85	105	125
h _{nom}	Overall anchor embedment depth in the concrete:	[mm]	55	68	80	97	114
h _{ef}	Effective anchorage depth:	[mm]	48	60	70	85	100
t _{fix}	Thickness of fixture for washer DIN 125 ≤ ¹⁾	[mm]	L - 66	L - 80	L - 96	L - 117	L - 138
t _{fix}	Thickness of fixture for washers DIN 9021, DIN 440 ≤ ¹⁾	[mm]	L - 67	L - 81	L - 97	L - 118	L - 139
s _{min}	Minimum allowable spacing:	[mm]	42	47	57	75	100
c _{min}	Minimum allowable distance:	[mm]	47	52	62	75	90

¹⁾ L = total anchor length

CA-Z/X, CA-H/X, CA-Z/H, CA-X/X anchor

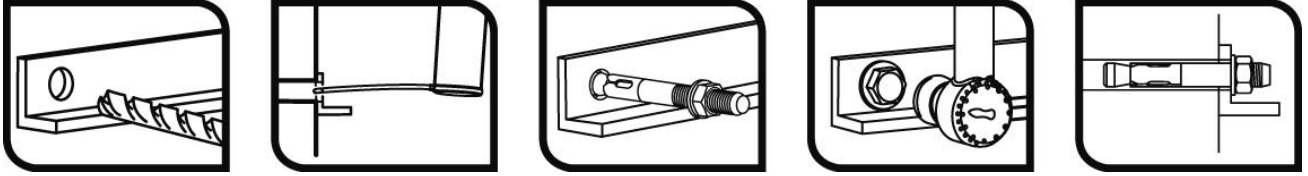
Performances

Installation parameters

Annex C1

English translation prepared by IETcc

Installation process



CA-Z/X, CA-H/X, CA-Z/H, CA-X/X anchors

Performances

Installation procedure

Annex C2

English translation prepared by IETcc

Table C3: Essential characteristics under static or quasi-static tension loads according to design method A according to EN 1992-4 for CA-Z/X, CA-H/X, CA-Z/H anchors

Essential characteristics under static or quasi-static tension loads according to design method A		Performances							
		M8	M10	M12	M16	M20	M24		
Tension loads: steel failure									
$N_{Rk,s}$	Characteristic resistance:	[kN]	18.1	31.4	40.4	72.7	116.6	179.2	
γ_{Ms}	Partial safety factor:	[-]	1.5	1.5	1.5	1.5	1.5	1.5	
Tension loads: pull-out failure in concrete									
CA-Z/X anchor									
$N_{Rk,p,ucr}$	Characteristic resistance in C20/25 uncracked concrete:	[kN]	9	16	20	35	50	50	
$N_{Rk,p,cr}$	Characteristic resistance in C20/25 cracked concrete:	[kN]	5	9	12	25	30	30	
CA-H/X anchor									
$N_{Rk,p,ucr}$	Characteristic resistance in C20/25 uncracked concrete:	[kN]	9	16	30	35	50	--	
$N_{Rk,p,cr}$	Characteristic resistance in C20/25 cracked concrete:	[kN]	6	9	16	25	30	--	
CA-Z/H anchor									
$N_{Rk,p,ucr}$	Characteristic resistance in C20/25 uncracked concrete:	[kN]	9	16	25	35	50	--	
$N_{Rk,p,cr}$	Characteristic resistance in C20/25 cracked concrete:	[kN]	6	9	16	25	30	--	
γ_{ins}	Installation safety factor:	[-]	1.2	1.0	1.0	1.0	1.0	1.2	
ψ_c	Increasing factor for $N_{Rk,p}^0$:	C30/37	[-]	1.22	1.16	1.22	1.22	1.16	1.22
		C40/50	[-]	1.41	1.31	1.41	1.41	1.31	1.41
		C50/60	[-]	1.55	1.41	1.55	1.55	1.41	1.55
Tension loads: concrete cone and splitting failure									
h_{ef}	Effective embedment depth:	[mm]	48	60	70	85	100	125	
$k_{ucr,N}$	Factor for uncracked concrete:	[-]	11.0						
$k_{cr,N}$	Factor for cracked concrete:	[-]	7,7						
γ_{ins}	Installation safety factor:	[-]	1.2	1.0	1.0	1.0	1.0	1.2	
$s_{cr,N}$	Concrete cone failure:	[mm]	3 x h_{ef}						
$c_{cr,N}$		[mm]	1.5 x h_{ef}						
$s_{cr,sp}$	Splitting failure:	[mm]	288	300	350	425/510 ¹⁾	500/600 ¹⁾	560	
$c_{cr,sp}$		[mm]	144	150	175	213/255 ¹⁾	250/300 ¹⁾	280	

¹⁾ Respective values for anchors CA-Z/X / CA-H/X, CA-Z/H

CA-Z/X, CA-H/X, CA-Z/H anchors

Performances

Essential characteristics under static or quasi-static tension loads

Annex C3

Table C4: Essential characteristics under static or quasi-static tension loads according to design method A according to EN 1992-4 for CA-X/X anchor

Essential characteristics under static or quasi-static tension loads according to design method A				Performances				
				M8	M10	M12	M16	M20
Tension loads: steel failure								
$N_{Rk,s}$	Characteristic resistance:	[kN]	18.5	30.9	45.5	71.5	122.5	
γ_{Ms}	Partial safety factor:	[-]	1.4	1.4	1.4	1.4	1.4	
Tension loads: pull-out failure in concrete								
$N_{Rk,p,ucr}$	Characteristic resistance in C20/25 uncracked concrete:	[kN]	12	16	22	-- ¹⁾	-- ¹⁾	
Ψ_c	Increasing factor for $N^0_{Rk,p}$:	C30/37	[-]	1.22	1.22	1.22	1.22	1.09
		C40/50	[-]	1.41	1.41	1.41	1.41	1.16
		C50/60	[-]	1.58	1.58	1.58	1.58	1.22
$N_{Rk,p,cr}$	Characteristic resistance in C20/25 cracked concrete:	[kN]	8.5	14	19	-- ¹⁾	-- ¹⁾	
Ψ_c	Increasing factor for $N^0_{Rk,p}$:	C30/37	[-]	1.01	1.00	1.09	1.09	1.17
		C40/50	[-]	1.02	1.00	1.15	1.16	1.32
		C50/60	[-]	1.02	1.00	1.20	1.22	1.44
γ_{ins}	Installation safety factor:	[-]	1.0	1.0	1.2	1.2	1.2	
Tension loads: concrete cone and splitting failure								
h_{ef}	Effective embedment depth:	[mm]	48	60	70	85	100	
$k_{ucr,N}$	Factor for uncracked concrete:	[-]	11.0					
$k_{cr,N}$	Factor for cracked concrete:	[-]	7,7					
γ_{ins}	Installation safety factor:	[-]	1.0	1.0	1.2	1.2	1.2	
$S_{cr,N}$	Concrete cone failure:	[mm]	3 x h_{ef}					
$C_{cr,N}$		[mm]	1.5 x h_{ef}					
$S_{cr,sp}$	Splitting failure:	[mm]	164	204	238	290	380	
$C_{cr,sp}$		[mm]	82	102	119	145	190	

1) Pull out failure is not decisive

CA-X/X anchor

Performances

Essential characteristics under static or quasi-static tension loads

Annex C4

English translation prepared by IETcc

Table C5: Essential characteristics under static or quasi-static shear loads of design method A according to EN 1992-4 for CA-Z/X, CA-H/X, CA-Z/H anchors

Essential characteristics under static or quasi-static shear loads according to design method A			Performances					
			M8	M10	M12	M16	M20	M24
Shear loads: steel failure without lever arm								
$V_{Rk,s}$	Characteristic resistance:	[kN]	11.0	17.4	25.3	47.1	73.1	84.7
k_7	Ductility factor:	[-]	1.00					
γ_{Ms}	Partial safety factor:	[-]	1.25	1.25	1.25	1.25	1.25	1.25
Shear loads: steel failure with lever arm								
$M^0_{Rk,s}$	Characteristic bending moment:	[Nm]	22.5	44.8	78.6	199.8	389.4	673.5
γ_{Ms}	Partial safety factor:	[-]	1.25	1.25	1.25	1.25	1.25	1.25
Shear loads: concrete pryout failure								
k_8	Pryout factor:	[-]	1	2	2	2	2	2
γ_{ins}	Installation safety factor:	[-]	1.00					
Shear loads: concrete edge failure								
l_f	Effective length of anchor under shear loads:	[mm]	48	60	70	85	100	125
d_{nom}	Outside anchor diameter:	[mm]	8	10	12	16	20	24
γ_{ins}	Installation safety factor:	[-]	1.00					

Table C6 Essential characteristics under static or quasi-static shear loads of design method A according to EN 1992-4 for CA-X/X anchor

Essential characteristics under static or quasi-static shear loads according to design method A			Performances				
			M8	M10	M12	M16	M20
Shear loads: steel failure without lever arm							
$V_{Rk,s}$	Characteristic resistance:	[kN]	11.9	18.9	27.4	55.0	85.9
k_7	Ductility factor:	[-]	1.00				
γ_{Ms}	Partial safety factor:	[-]	1.25	1.25	1.25	1.25	1.25
Shear loads: steel failure with lever arm							
$M^0_{Rk,s}$	Characteristic bending moment:	[Nm]	26.2	52.3	91.7	233.1	454.3
γ_{Ms}	Partial safety factor:	[-]	1.25	1.25	1.25	1.25	1.25
Shear loads: concrete pryout failure							
k_8	Pryout factor:	[-]	1	2	2	2	2
γ_{ins}	Installation safety factor:	[-]	1.00				
Shear loads: concrete edge failure							
l_f	Effective length of anchor under shear loads:	[mm]	48	60	70	85	100
d_{nom}	Outside anchor diameter:	[mm]	8	10	12	16	20
γ_{ins}	Installation safety factor:	[-]	1.00				

CA-Z/X, CA-H/X, CA-Z/H, CA-X/X anchors

Performances

Essential characteristics under static or quasi-static shear loads

Annex C5

English translation prepared by IETcc

Table C7: Displacements under tension loads for CA-Z/X, CA-H/X, CA-Z/H, CA-X/X anchors

Displacements under tension loads		Performances						
		M8	M10	M12	M16	M20	M24	
CA-Z/X anchor								
N	Service tension load:	[kN]	2.5	4.3	6.3	10.4	13.9	18.0
$\bar{\delta}_{N0}$	Short term displacement:	[mm]	1.1	0.7	1.0	0.4	1.6	0.4
$\bar{\delta}_{N\infty}$	Long term displacement:	[mm]	1.9	1.9	1.9	1.9	1.9	2.0
CA-H/X anchor								
N	Service tension load:	[kN]	2.5	4.3	6.3	10.4	13.9	--
$\bar{\delta}_{N0}$	Short term displacement:	[mm]	1.0	1.1	0.9	1.5	1.2	--
$\bar{\delta}_{N\infty}$	Long term displacement:	[mm]	1.9	1.9	1.9	1.9	1.9	--
CA-Z/H anchor								
N	Service tension load:	[kN]	2.5	4.3	7.6	11.9	14.3	--
$\bar{\delta}_{N0}$	Short term displacement:	[mm]	1.0	1.1	0.9	1.5	1.3	--
$\bar{\delta}_{N\infty}$	Long term displacement:	[mm]	1.6	1.6	1.6	1.6	1.6	--
CA-X/X anchor								
N	Service tension load in non cracked concrete:	[kN]	5.7	7.6	8.7	15.3	19.5	--
$\bar{\delta}_{N0}$	Short term displacement:	[mm]	1.4	1.4	1.4	1.8	1.8	--
$\bar{\delta}_{N\infty}$	Long term displacement:	[mm]	1.9	1.9	1.9	1.9	1.9	--
CA-X/X anchor								
N	Service tension load in cracked concrete:	[kN]	4.0	6.7	7.5	10.7	13.7	--
$\bar{\delta}_{N0}$	Short term displacement:	[mm]	1.2	1.3	1.3	1.3	1.3	--
$\bar{\delta}_{N\infty}$	Long term displacement:	[mm]	1.7	1.7	1.7	1.7	1.7	--

Table C8: Displacements under shear load for CA-Z/X, CA-H/X, CA-Z/H, CA-X/X anchors

Displacements under shear loads		Performances						
		M8	M10	M12	M16	M20	M24	
CA-Z/X anchor								
V	Service shear load:	[kN]	4.9	6.8	8.5	15.1	24.6	33.6
$\bar{\delta}_{V0}$	Short term displacement:	[mm]	1.0	1.5	1.8	1.9	3.1	1.4
$\bar{\delta}_{V\infty}$	Long term displacement:	[mm]	1.5	2.3	2.7	2.9	4.7	2.1
CA-H/X anchor								
V	Service shear load:	[kN]	4.9	6.8	8.5	15.1	24.6	-
$\bar{\delta}_{V0}$	Short term displacement:	[mm]	1.0	1.5	1.8	1.9	3.1	--
$\bar{\delta}_{V\infty}$	Long term displacement:	[mm]	1.5	2.3	2.7	2.9	4.7	--
CA-Z/H anchor								
V	Service shear load:	[kN]	4.9	6.8	8.5	15.1	24.6	--
$\bar{\delta}_{V0}$	Short term displacement:	[mm]	1.0	1.5	1.8	1.9	3.1	--
$\bar{\delta}_{V\infty}$	Long term displacement:	[mm]	1.5	2.3	2.7	2.9	4.7	--
CA-X/X anchor								
V	Service shear load:	[kN]	6.8	10.8	15.7	31.4	46.9	--
$\bar{\delta}_{V0}$	Short term displacement:	[mm]	1.9	1.6	1.6	2.2	2.2	--
$\bar{\delta}_{V\infty}$	Long term displacement:	[mm]	2.4	2.4	2.4	3.3	3.3	--

CA-Z/X, CA-H/X, CA-Z/H, CA-X/X anchors

Performances

Displacements under static or quasi-static tension and shear loads

Annex C6

English translation prepared by IETcc

Table C9: Essential characteristics for seismic performance category C1 CA-Z/X, CA-Z/H anchors

Essential characteristics for seismic performance category C1			Performances					
			M8	M10	M12	M16	M20	M24
Steel failure for tension and shear failure								
$N_{Rk,s,C1}$	Characteristic tension steel failure:	[kN]	18.1	31.4	40.4	72.7	116.6	--
$\gamma_{Ms,N}$	Partial safety factor:	[-]	1.5	1.5	1.5	1.5	1.5	--
$V_{Rk,s,C1}$	Characteristic shear steel failure:	[kN]	7.7	12.2	17.8	33.0	58.5	--
$\gamma_{Ms,V}$	Partial safety factor:	[-]	1.25	1.25	1.25	1.25	1.25	--
Pull out failure								
CA-Z/X anchor								
$N_{Rk,p,C1}$	Characteristic pull out failure:	[kN]	--	5.3	8.4	17.5	--	--
CA-Z/H anchor								
$N_{Rk,p,C1}$	Characteristic pull out failure:	[kN]	5.9	8.9	16.0	25.0	30.0	--
γ_{ins}	Installation safety factor:	[-]	1.2	1.0	1.0	1.0	1.0	--
Concrete cone failure								
h_{ef}	Effective embedment depth:	[mm]	48	60	70	85	100	--
$s_{cr,N}$	Spacing:	[mm]	3 x h_{ef}					--
$c_{cr,N}$	Edge distance:	[mm]	1.5 x h_{ef}					--
γ_{ins}	Installation safety factor:	[-]	1.2	1.0	1.0	1.0	1.0	--
Concrete pryout failure								
k_8	Pryout factor:	[-]	1	2	2	2	2	--
Concrete edge failure								
l_f	Effective length of anchor:	[mm]	48	60	70	85	100	--
d_{nom}	Outside anchor diameter:	[-]	8	10	12	16	20	--

CA-Z/X, CA-Z/H anchors

Performances

Essential characteristics for seismic performance category C1

Annex C7

English translation prepared by IETcc

Table C10: Essential characteristics for seismic performance category C2 CA-Z/X, CA-Z/H anchors

Essential characteristics for seismic performance category C2			Performances					
			M8	M10	M12	M16	M20	M24
Steel failure for tension and shear failure								
$N_{Rk,s,C2}$	Characteristic tension steel failure:	[kN]	--	31.4	40.4	72.7	116.6	--
$\gamma_{Ms,N}$	Partial safety factor:	[-]	--	1.5	1.5	1.5	1.5	--
$V_{Rk,s,C2}$	Characteristic shear steel failure:	[kN]	--	12.2	17.8	33.0	58.5	--
$\gamma_{Ms,V}$	Partial safety factor:	[-]	--	1.25	1.25	1.25	1.25	--
Pull out failure								
CA-Z/X anchor								
$N_{Rk,p,C2}$	Characteristic pull out failure:	[kN]	--	--	5.2	8.9	--	--
CA-Z/H anchor								
$N_{Rk,p,C2}$	Characteristic pull out failure:	[kN]	--	3.9	9.1	--	21.0	--
γ_{ins}	Installation safety factor:	[-]	--	1.0	1.0	1.0	1.0	--
Concrete cone failure								
h_{ef}	Effective embedment depth:	[mm]	--	60	70	85	100	--
$s_{cr,N}$	Spacing:	[mm]	--	3 x h_{ef}				--
$c_{cr,N}$	Edge distance:	[mm]	--	1.5 x h_{ef}				--
γ_{ins}	Installation safety factor:	[-]	--	1.0	1.0	1.0	1.0	--
Concrete pryout failure								
k_8	Pryout factor:	[-]	--	2	2	2	2	--
Concrete edge failure								
l_f	Effective length of anchor:	[mm]	--	60	70	85	100	--
d_{nom}	Outside anchor diameter:	[-]	--	10	12	16	20	--
Displacements								
CA-Z/X anchor								
$\bar{D}_{N,C2} (DLS)$	Displacement Damage Limitation State: ^{1) 2)}	[mm]	--	--	2.34	3.99	--	--
$\bar{D}_{V,C2} (DLS)$	Displacement Damage Limitation State: ^{1) 2)}	[mm]	--	--	5.53	5.96	--	--
$\bar{D}_{N,C2} (ULS)$	Displacement Ultimate Limit State: ¹⁾	[mm]	--	--	9.54	10.17	--	--
$\bar{D}_{V,C2} (ULS)$	Displacement Ultimate Limit State: ¹⁾	[mm]	--	--	9.08	10.66	--	--
CA-Z/H anchor								
$\bar{D}_{N,C2} (DLS)$	Displacement Damage Limitation State: ^{1) 2)}	[mm]	--	3.15	5.57	--	6.82	--
$\bar{D}_{V,C2} (DLS)$	Displacement Damage Limitation State: ^{1) 2)}	[mm]	--	5.61	5.53	--	6.37	--
$\bar{D}_{N,C2} (ULS)$	Displacement Ultimate Limit State: ¹⁾	[mm]	--	14.77	20.31	--	29.12	--
$\bar{D}_{V,C2} (ULS)$	Displacement Ultimate Limit State: ¹⁾	[mm]	--	8.68	9.08	--	12.32	--

¹⁾ The listed displacements represent mean values

²⁾ A small displacement may be required in the design in the case of displacements sensitive fastening of "rigid" supports. The characteristics resistance associated with such small displacements may be determined by linear interpolation or proportional reduction.

CA-Z/X, CA-Z/H anchors

Performances

Essential characteristics for seismic performance category C2

Annex C8

Table C11: Essential characteristics under fire exposure CA-Z/X, CA-H/X, CA-Z/H anchors

Essential characteristics under fire exposure			Performances						
			M8	M10	M12	M16	M20	M24	
Steel failure									
$N_{Rk,s,fi}$	Characteristic tension resistance:	R30	[kN]	0,4	0,9	1,7	3,1	4,9	7,1
		R60	[kN]	0,3	0,8	1,3	2,4	3,7	5,3
		R90	[kN]	0,3	0,6	1,1	2,0	3,2	4,6
		R120	[kN]	0,2	0,5	0,8	1,6	2,5	3,5
$V_{Rk,s,fi}$	Characteristic shear resistance:	R30	[kN]	0,4	0,9	1,7	3,1	4,9	7,1
		R60	[kN]	0,3	0,8	1,3	2,4	3,7	5,3
		R90	[kN]	0,3	0,6	1,1	2,0	3,2	4,5
		R120	[kN]	0,2	0,5	0,8	1,6	2,5	3,5
$M^0_{Rk,s,fi}$	Characteristic bending resistance:	R30	[Nm]	0,4	1,1	2,6	6,7	13,0	22,5
		R60	[Nm]	0,3	1,0	2,0	5,0	9,7	16,8
		R90	[Nm]	0,3	0,7	1,7	4,3	8,4	14,6
		R120	[Nm]	0,2	0,6	1,3	3,3	6,5	11,2
Pull out failure									
$N_{Rk,p,fi}$	Characteristic resistance:	R30							
		R60	[kN]	1,3/1,5 ³⁾	2,3	3,0/4,0 ³⁾	6,3	7,5	7,5
		R90							
		R120	[kN]	1,0/1,2 ³⁾	1,8	2,4/3,2 ³⁾	5,0	6,0	6,0
Concrete cone failure ²⁾									
$N_{Rk,c,fi}$	Characteristic resistance:	R30							
		R60	[kN]	2,9	5,0	7,4	12,0	18,0	31,4
		R90							
		R120	[kN]	2,3	4,0	5,9	9,6	14,4	25,2
$S_{cr,N,fi}$	Critical spacing:	R30 to R120	[mm]	4 x h_{ef}					
$S_{min,fi}$	Minimum spacing:	R30 to R120	[mm]	50	60	70	85/128 ¹⁾	100/150 ¹⁾	125
$C_{cr,N,fi}$	Critical edge distance:	R30 to R120	[mm]	2 x h_{ef}					
$C_{min,fi}$	Minimum edge distance:	R30 to R120	[mm]	$C_{min} = 2 \times h_{ef}$; if fire attack comes from more than one side, the edge distance of the anchor has to be ≥ 300 mm and $\geq 2 \times h_{ef}$					
Concrete pry out failure									
k_8	Pryout factor:	R30 to R120	[-]	1	2	2	2	2	2

¹⁾ Respective values for anchors CA-Z/X / CA-H/X, CA-Z/H

²⁾ As a rule, splitting failure can be neglected since cracked concrete and reinforcement is assumed.

In absence of other national regulations the partial safety factor for resistance under fire exposure $\gamma_{m,fi} = 1,0$ is recommended

CA-Z/X, CA-H/X, CA-Z/H anchors	Annex C9
Performances	
Essential characteristics under fire exposure	

Table C12: Essential characteristics under fire exposure CA-X/X anchor

Essential characteristics under fire exposure			Performances				
			M8	M10	M12	M16	M20
Steel failure							
$N_{Rk,s,fi}$	Characteristic tension resistance:	R30 [kN]	0,7	1,5	2,5	4,7	7,4
		R60 [kN]	0,6	1,2	2,1	3,9	6,1
		R90 [kN]	0,4	0,9	1,7	3,1	4,9
		R120 [kN]	0,4	0,8	1,3	2,5	3,9
$V_{Rk,s,fi}$	Characteristic shear resistance:	R30 [kN]	0,7	1,5	2,5	4,7	7,4
		R60 [kN]	0,6	1,2	2,1	3,9	6,1
		R90 [kN]	0,4	0,9	1,7	3,1	4,9
		R120 [kN]	0,4	0,8	1,3	2,5	3,9
$M^0_{Rk,s,fi}$	Characteristic bending resistance:	R30 [Nm]	0,7	1,9	3,9	10,0	19,5
		R60 [Nm]	0,6	1,5	3,3	8,3	16,2
		R90 [Nm]	0,4	1,2	2,6	6,7	13,0
		R120 [Nm]	0,4	1,0	2,1	5,3	10,4
Pull out failure							
$N_{Rk,p,fi}$	Characteristic resistance:	R30 [kN]	2,1	3,5	4,8	-- ¹⁾	-- ¹⁾
		R60 [kN]					
		R90 [kN]					
		R120 [kN]	1,7	2,8	3,8	-- ¹⁾	-- ¹⁾
Concrete cone failure ²⁾							
$N_{Rk,c,fi}$	Characteristic resistance:	R30 [kN]	2,7	4,8	7,1	11,5	17,2
		R60 [kN]					
		R90 [kN]					
		R120 [kN]	2,2	43,8	5,6	9,2	13,8
$S_{cr,N,fi}$	Critical spacing:	R30 to R120 [mm]	4 x h_{ef}				
$S_{min,fi}$	Minimum spacing:	R30 to R120 [mm]	42	47	57	75	100
$C_{cr,N,fi}$	Critical edge distance:	R30 to R120 [mm]	2 x h_{ef}				
$C_{min,fi}$	Minimum edge distance:	R30 to R120 [mm]	$C_{min} = 2 \times h_{ef}$; if fire attack comes from more than one side, the edge distance of the anchor has to be ≥ 300 mm and $\geq 2 \times h_{ef}$				
Concrete pry out failure							
k_8	Pryout factor:	R30 to R120 [-]	1	2	2	2	2

¹⁾ Pull out failure is not decisive

²⁾ As a rule, splitting failure can be neglected since cracked concrete and reinforcement is assumed.

In absence of other national regulations the partial safety factor for resistance under fire exposure $\gamma_{m,fi} = 1,0$ is recommended

CA-X/X anchor	Annex C10
Performances	
Essential characteristics under fire exposure	