

- High rigidity of the 60 mm diameter disk.
- Special design of the expansion zone that allows two anchorage depths - 35 and 70 mm.
- European Technical Assessment ETA 20/0447. It guarantees the highest product quality and CE marking.



#### EXPERIENCE

We have been operating in the fasteners market for 35 years



#### SAFETY

Proven quality guaranteed by technical evaluations, certificates and approvals



#### TECHNICAL SUPPORT

We assist our customers at every stage of a project



Delivery within  
**24h\*/48h**

\* for orders placed by 14.00 on the previous day

**MARCOPOL Sp. z o.o.**  
**Manufacturer of screws**  
 ul. Oliwska 100  
 80-209 Chwaszczyno  
 tel.: + 48 58 55 40 555

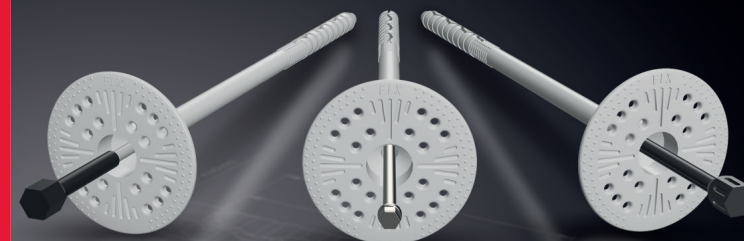
**Customer Service:**  
 tel.: + 48 58 55 40 655  
 fax: + 48 58 55 40 439  
 bok@marcopol.pl  
 www.marcopol.pl



**NEW**

**THERMAL INSULATION COUPLING ELEMENTS**

**SOTHERM FIX**



FOR EXPANDED POLYSTYRENE

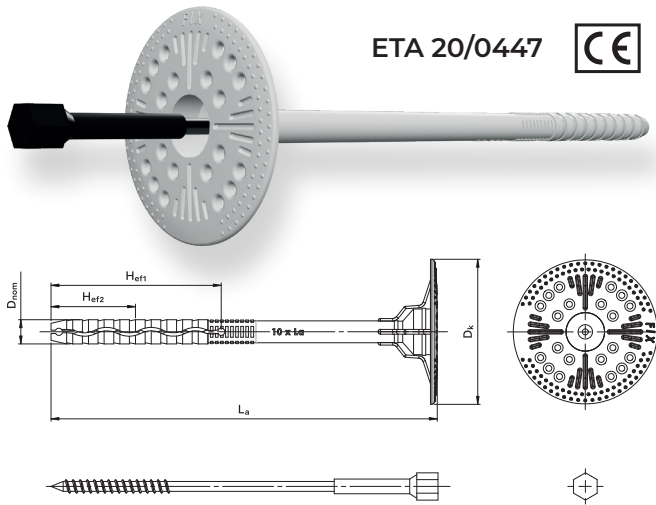
FOR MINERAL WOOL



COUPLING ELEMENTS HAVE EUROPEAN TECHNICAL APPROVAL ETA 20/0447

5711

**COUPLING ELEMENT FOR FIXING  
THERMAL INSULATION WITH A  
CAST METAL SHANK  
ISOTHERM FIX M  
ISOTHERM FIX M-K**



ETA 20/0447

**MATERIAL:**

- sheath - polypropylene
- shank - galvanized steel with a plastic insulator to prevent thermal bridging.

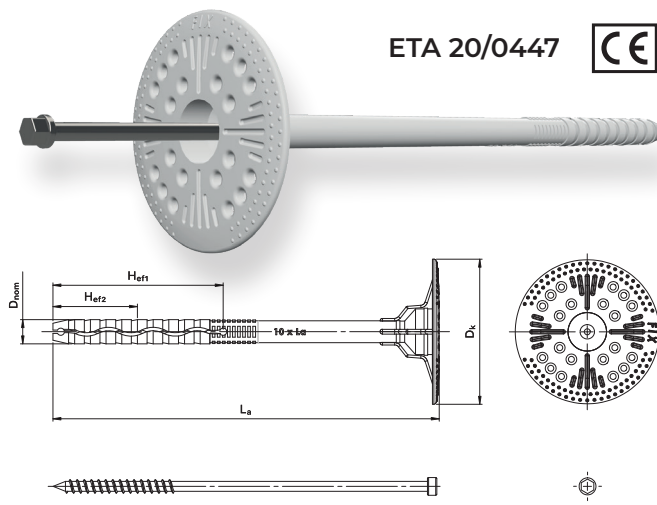
**APPLICATION:**

- for mechanical installation of thermal insulation (expanded polystyrene, mineral wool) in building materials, with utility categories: A, B, C, D, E.

Index	Size D <sub>nom</sub> x L <sub>a</sub> (mm)	Diameter of the disk D <sub>k</sub> (mm)	Anchoring depth		Package (pcs)
			H <sub>eff1</sub> (mm)	H <sub>eff2</sub> (mm)	
			<b>FIX M</b>	<b>FIX M-K</b>	
642695	10x100	60	35	70	100
642696	10x120	60	35	70	100
642697	10x140	60	35	70	100
642698	10x160	60	35	70	100
642699	10x180	60	35	70	100
642700	10x200	60	35	70	100
642701	10x220	60	35	70	100
642702	10x240	60	35	70	100
642703	10x260	60	35	70	100
642704	10x280	60	35	70	100
642705	10x300	60	35	70	100

5712

**COUPLING ELEMENT FOR FIXING  
THERMAL INSULATION WITH  
METAL SHANK  
ISOTHERM FIX S  
ISOTHERM FIX S-K**



ETA 20/0447

**MATERIAL:**

- sheath - polypropylene
- shank - steel, zinc plated

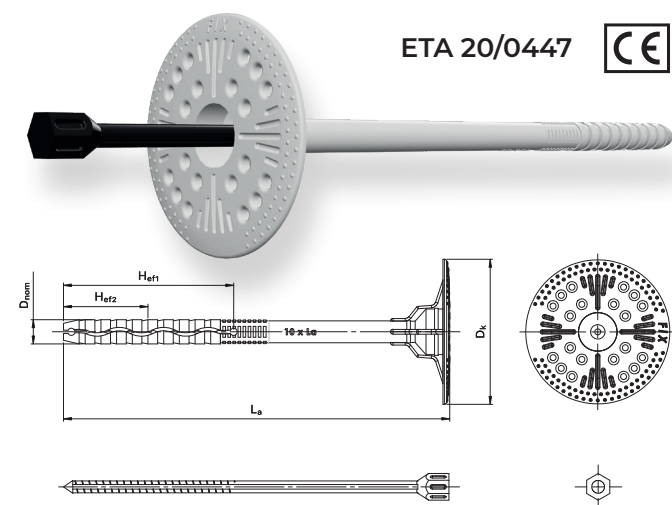
**APPLICATION:**

- for mechanical installation of thermal insulation (expanded polystyrene, mineral wool) in building materials, with utility categories: A, B, C, D, E.

Index	Size D <sub>nom</sub> x L <sub>a</sub> (mm)	Diameter of the disk D <sub>k</sub> (mm)	Anchoring depth		Package (pcs)
			H <sub>eff1</sub> (mm)	H <sub>eff2</sub> (mm)	
			<b>FIX S</b>	<b>FIX S-K</b>	
642706	10x100	60	35	70	100
642707	10x120	60	35	70	100
642708	10x140	60	35	70	100
642709	10x160	60	35	70	100
642710	10x180	60	35	70	100
642711	10x200	60	35	70	100
642712	10x220	60	35	70	100
642713	10x240	60	35	70	100
642714	10x260	60	35	70	100
642715	10x280	60	35	70	100
642716	10x300	60	35	70	100

5713

**COUPLING ELEMENT FOR FIXING  
THERMAL INSULATION WITH  
PLASTIC SHANK  
ISOTHERM FIX PA  
ISOTHERM FIX PA-K**



ETA 20/0447

**MATERIAL:**

- sheath - polypropylene
- shank - polyamide.

**APPLICATION:**

- for mechanical installation of thermal insulation (expanded polystyrene, mineral wool) in building materials, with utility categories: A, B, C, D, E.

Index	Size D <sub>nom</sub> x L <sub>a</sub> (mm)	Diameter of the disk D <sub>k</sub> (mm)	Anchoring depth		Package (pcs)
			H <sub>eff1</sub> (mm)	H <sub>eff2</sub> (mm)	
			<b>FIX PA</b>	<b>FIX PA-K</b>	
642717	10x100	60	35	70	100
642718	10x120	60	35	70	100
642719	10x140	60	35	70	100
642720	10x160	60	35	70	100
642721	10x180	60	35	70	100
642722	10x200	60	35	70	100
642723	10x220	60	35	70	100
642724	10x240	60	35	70	100
642725	10x260	60	35	70	100
642726	10x280	60	35	70	100
642727	10x300	60	35	70	100